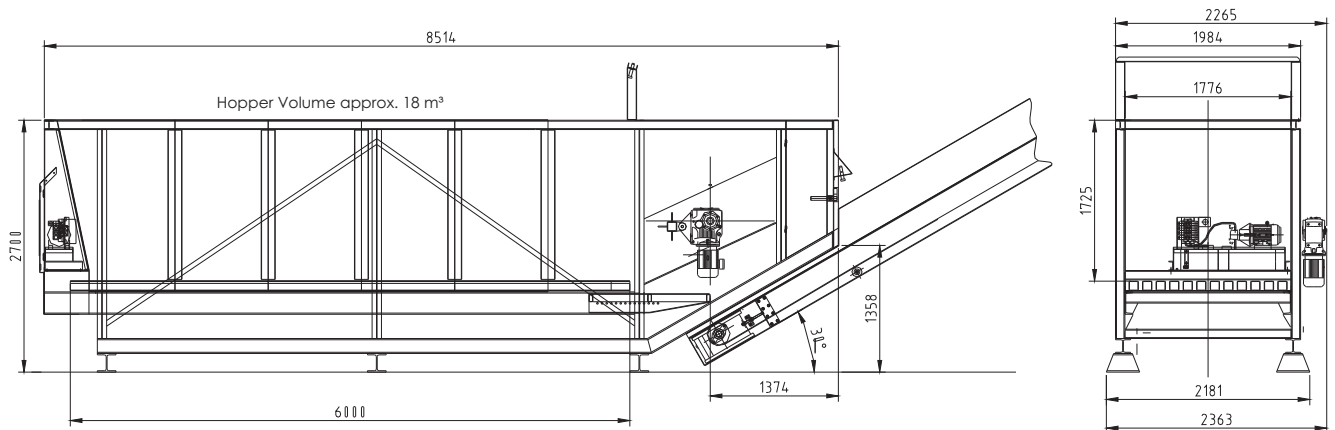


DOS-O-MAT Feed and Metering Hoppers



- For waste paper, biowaste, commercial waste, RDF, demolition waste, residual waste, etc.
- Loosened up and even material feeding to sorting and recovery units
- Infinitely adjustable throughput rate
- Safe tangling protection and self-cleaning effect of the dosing drum against strings, long foils, cords and wires
- Large feed hopper for long feeding intervals
- Low maintenance and serving requirements
- Efficiency boost of as much as 20 % compared to common feeding methods
- Ready for operation construction including drives and electrical control system

General Drawing



Short Description

Feed- and Metering Hoppers are designed for continuous and even feeding of most different materials and are equipped with an electrical volume flow regulation and a CARG-O-MAT Moving Floor Conveyor.

Preferably, such Feed- and Metering Hoppers are employed for feeding in sorting and recovery plants with waste paper, packaging waste, waste wood, biodegradable waste, organic waste and wood chips.

The DOS-O-MAT Feed- and Metering Hopper is charged e.g. by front loader. For adapting the feeding intervals to the operational demands, the hopper can be manufactured in various sizes.